



Mid Pac Petroleum, LLC.



## ETHANOL PRESENTATION

February, 2006

1

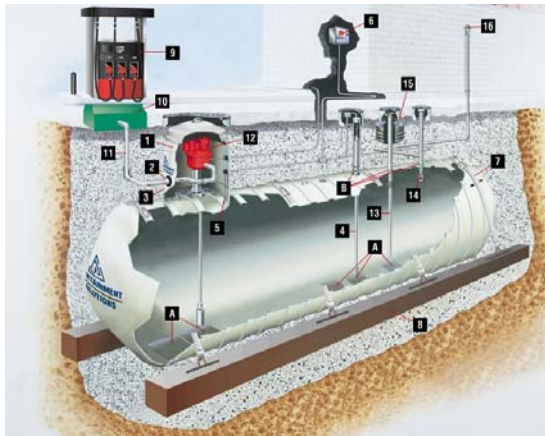


Mid Pac Petroleum

## ETHANOL PRESENTATION

### **PREPARING FOR ETHANOL**

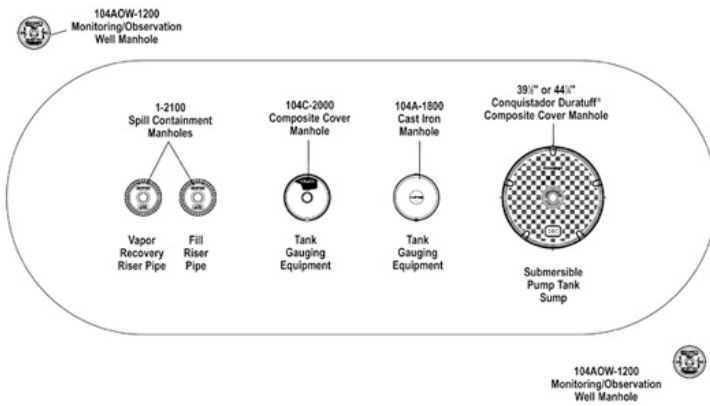
- Ensure tanks are compatible with ethanol (post 1981 fiberglass tanks are OK)
- Check tanks for any existing water. ID and fix the cause of water intrusion
- Check for negative tank tilt



2

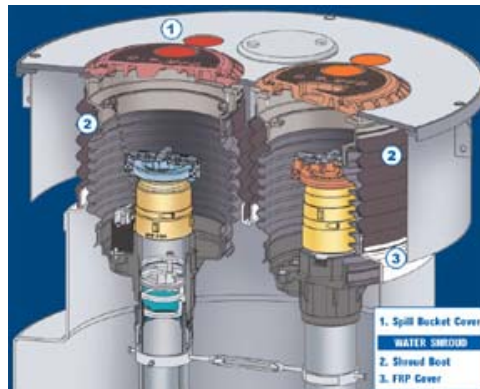
**PREPARING FOR ETHANOL**

- Inspect / service manhole covers and all seals



**PREPARING FOR ETHANOL**

- Replace fill / spill buckets as required



**PREPARING FOR ETHANOL**

- Install swiveling fill pipe adapters



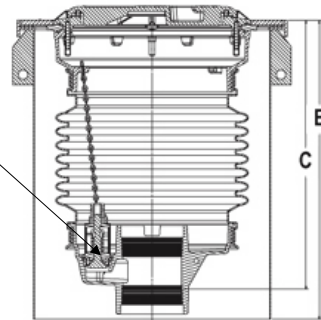
- Install swiveling vapor pipe adaptors



5

**PREPARING FOR ETHANOL**

- Plug spill bucket drains



6

**PREPARING FOR ETHANOL**

- Ensure all vent pipes are equipped with “rain caps”



7

**PREPARING FOR ETHANOL**

- Clean some tanks and filter the fuel



8

## PREPARING FOR ETHANOL

- Replace dispenser filters with ethanol-compatible, 10-micron watersorb filters



9

## PREPARING FOR ETHANOL

- Purchase ethanol-compatible modified water-finding paste for use with gauge stick



10