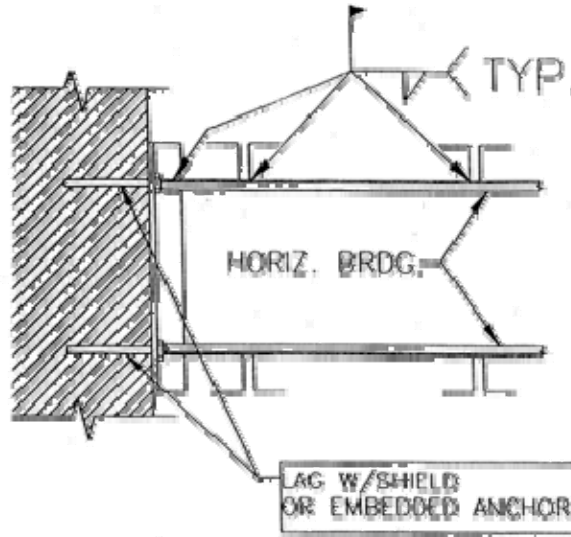
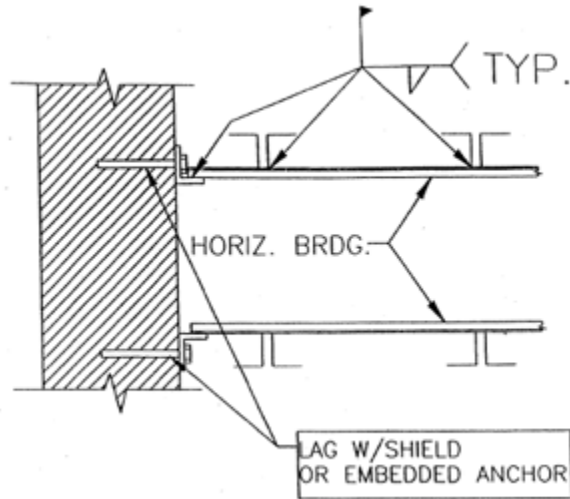


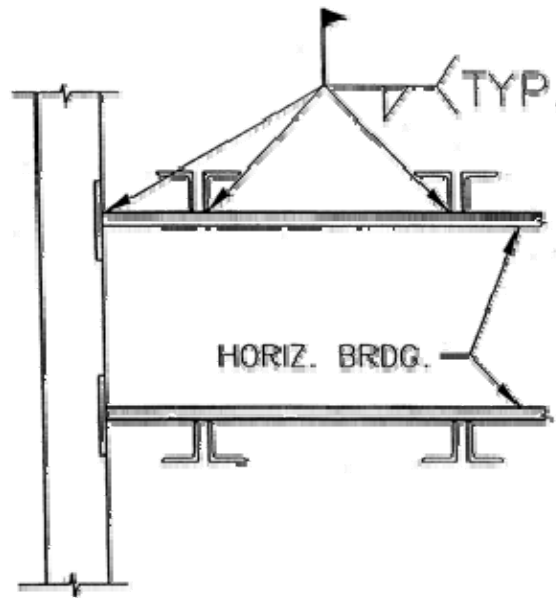
Appendix C to Chapter 12-133.2 --
Illustrations of Bridging Terminus Points:
Non-Mandatory Guidelines for Complying with
Sections 12-133.2-9(a)(10) and 12-133.2-9(c)(5)



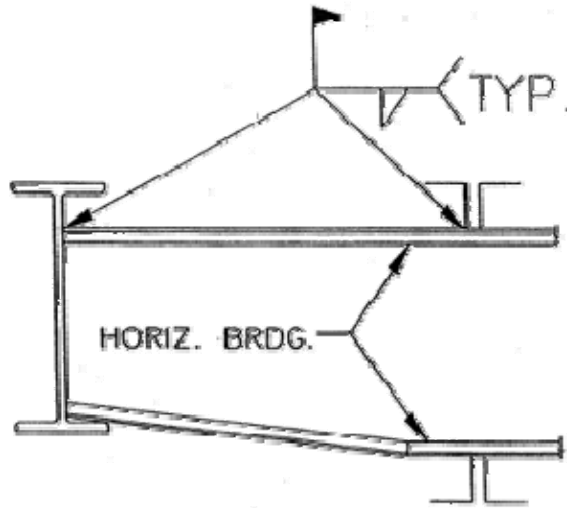
HORIZONTAL BRIDGING
TERMINUS AT WALL



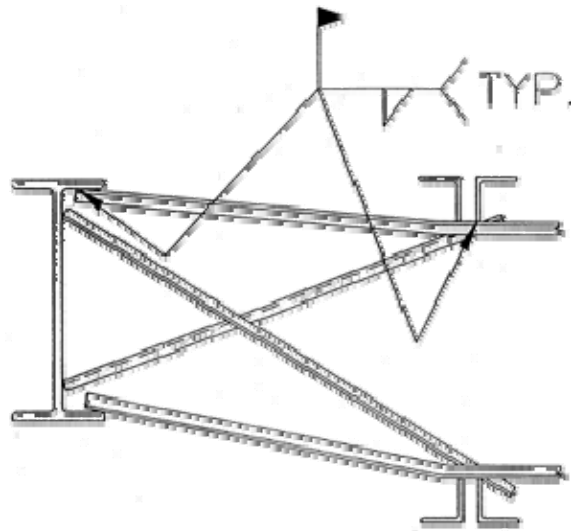
HORIZONTAL BRIDGING
TERMINUS AT WALL



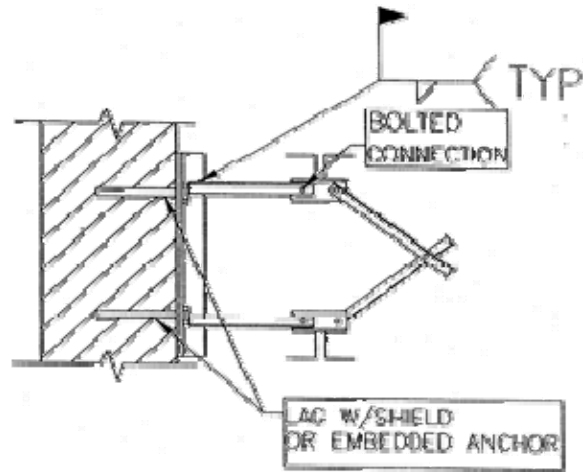
HORIZONTAL BRIDGING
TERMINUS AT PANEL WALL



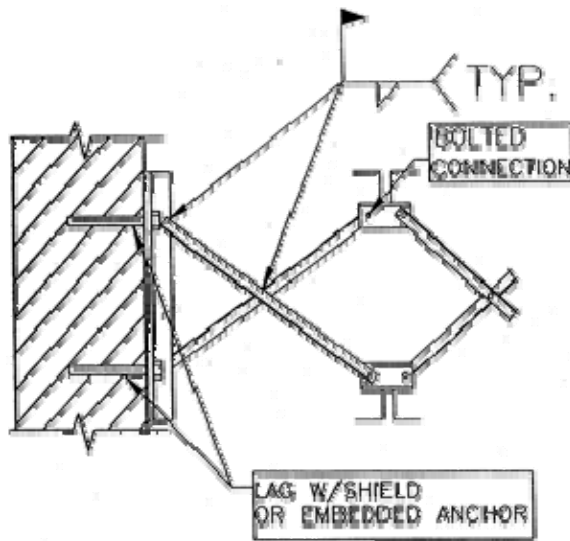
HORIZONTAL BRIDGING
TERMINUS AT
STRUCTURAL SHAPE



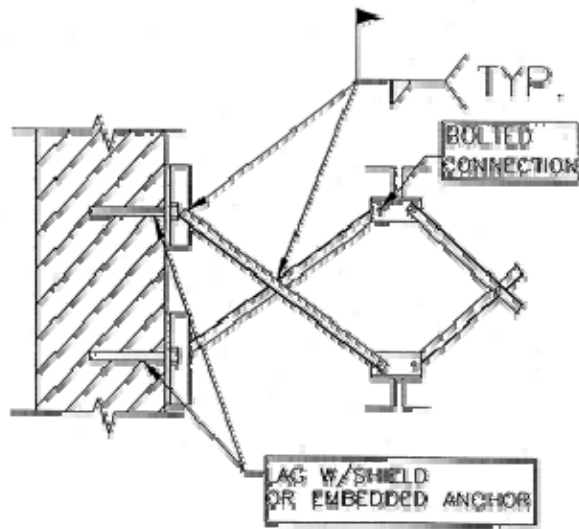
HORIZONTAL BRIDGING
TERMINUS AT STRUCTURAL
SHAPE WITH OPTIONAL
"X-BRIDGING"



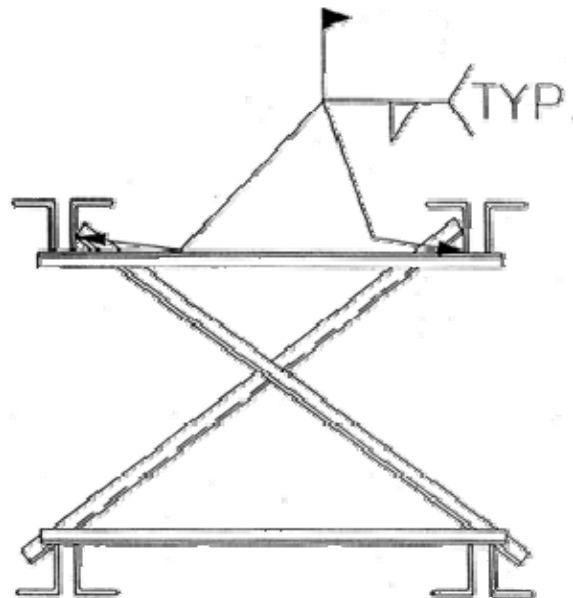
**BOLTED DIAGONAL BRIDGING
TERMINUS AT WALL**



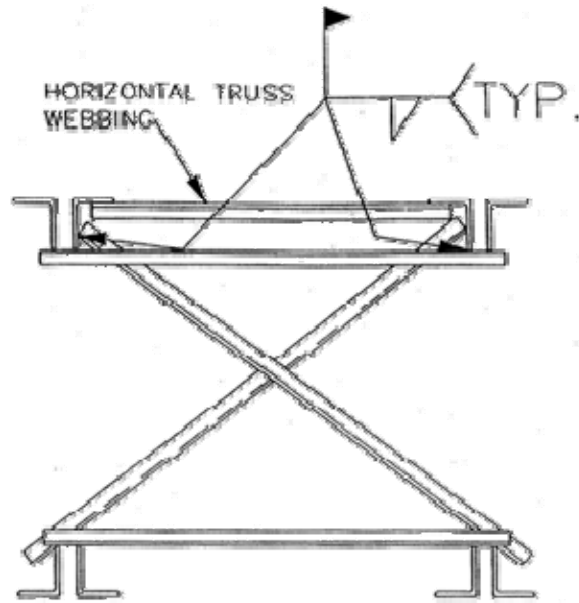
**BOLTED DIAGONAL BRIDGING
TERMINUS AT WALL**



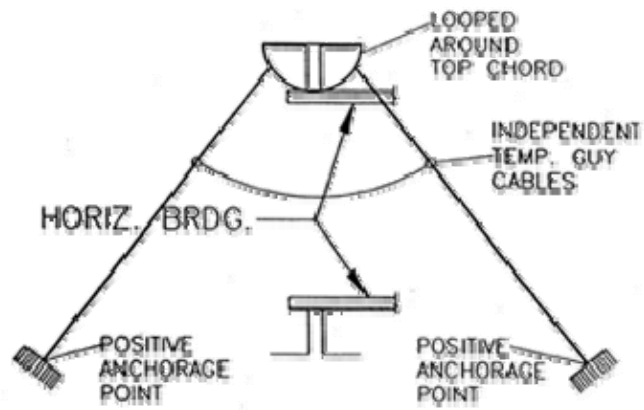
**BOLTED DIAGONAL BRIDGING
TERMINUS AT WALL**



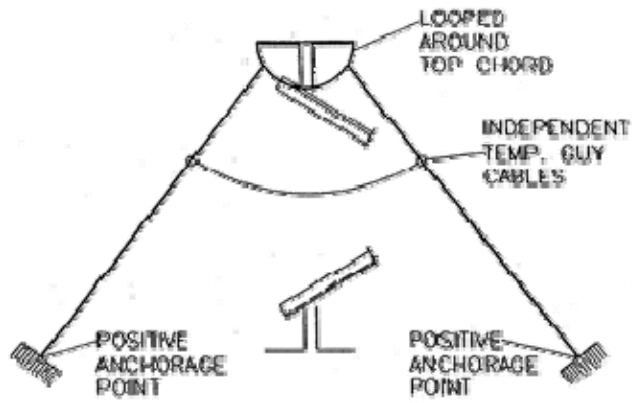
**JOISTS PAIR BRIDGING
TERMINUS POINT**



JOISTS PAIR BRIDGING
TERMINUS POINT
W/ HORIZ. TRUSS



HORIZONTAL BRIDGING
TERMINUS POINT
SECURED BY TEMP.
GUY CABLES



DIAGONAL BRIDGING
TERMINUS POINT
SECURED BY TEMP.
GUY CABLES

Appendix D is reserved

Appendix E is reserved